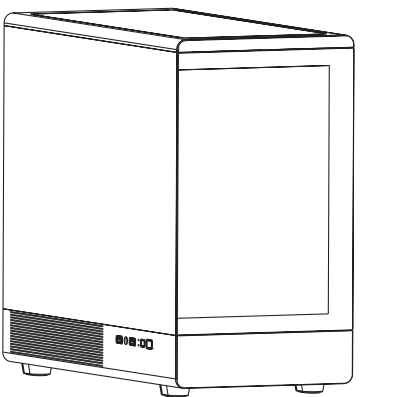


MANUAL **EVOLVEO**[®]

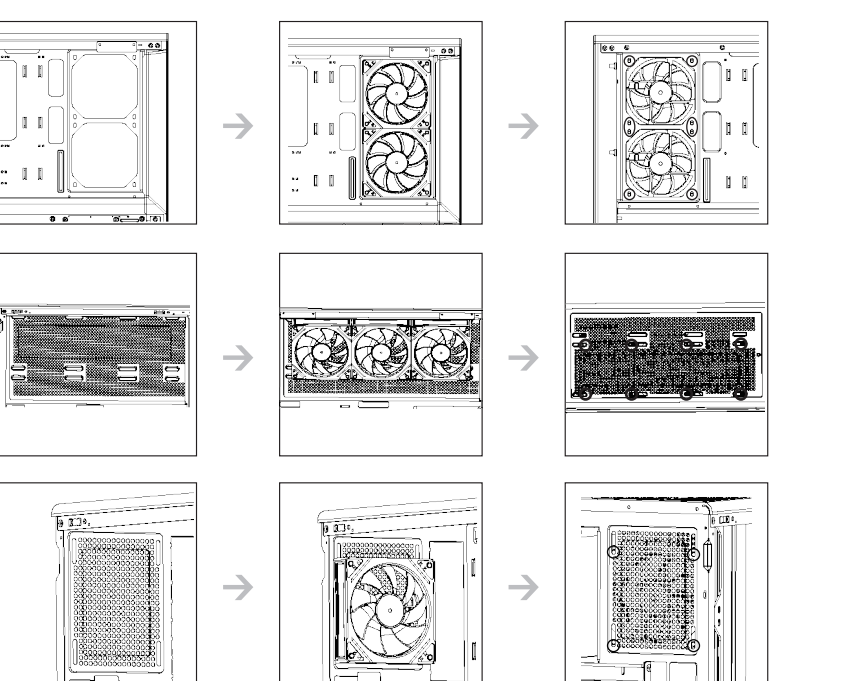
MODEL **Panthera Ursus** VERSION / DATE **I. / 9. 6. 2025**



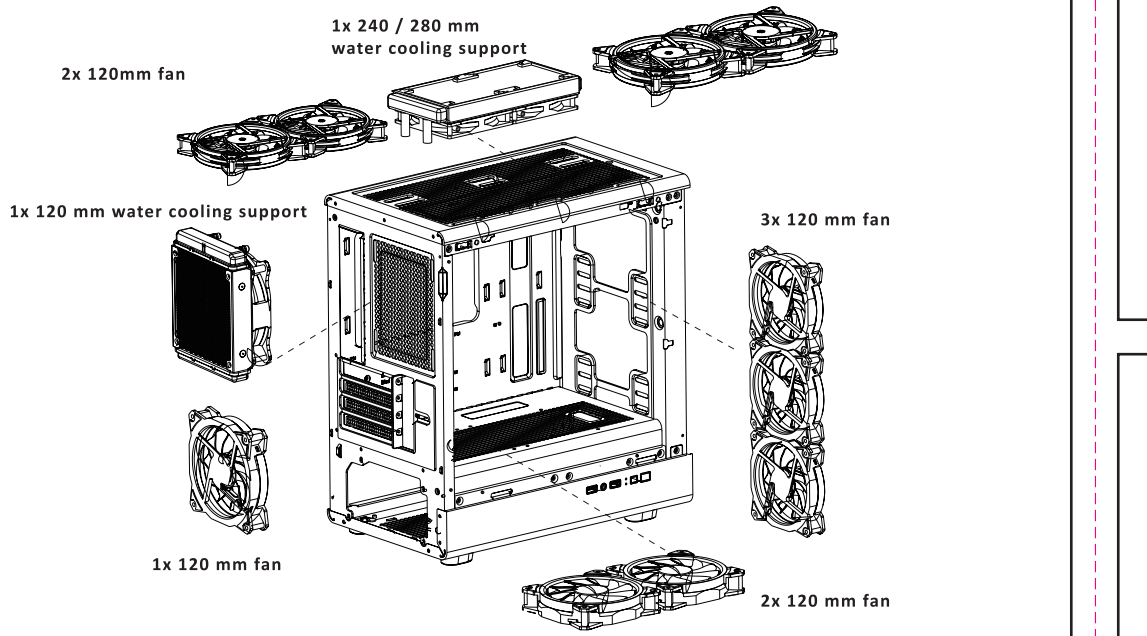
EN

- **ACCESSORIES**
- MOTHERBOARD AND SSD SCREWS x14
 - POWER SUPPLY SCREWS x7
 - HDD SCREWS x4
 - CABLE TIES x5
 - COPPER CYLINDERS x3
 - LONG FAN SCREWS x12
 - COPPER EXTENSIONS x1
 - STAPLE x2
 - SPEAKER x1

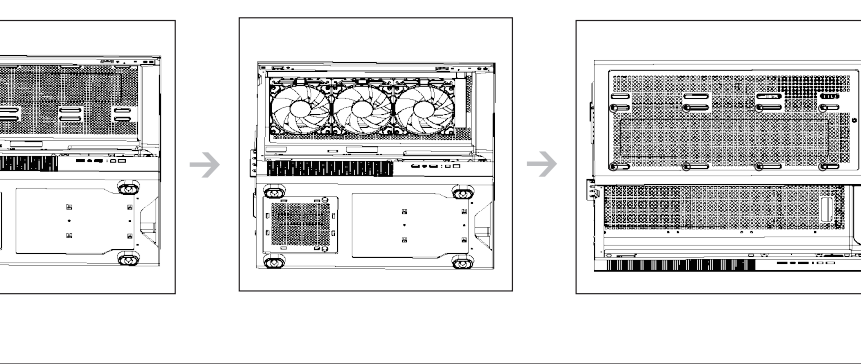
■ FAN ASSEMBLY - EVOLVEO Ursus



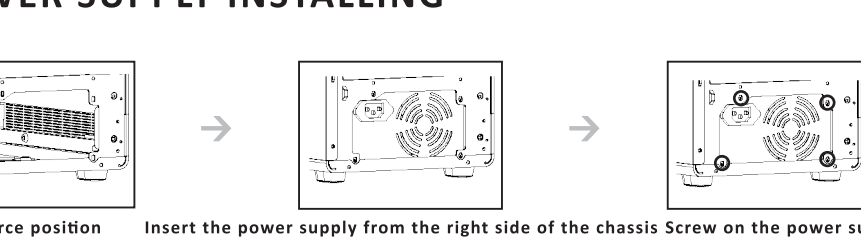
■ FAN AND WATER COOLING PLACEMENT - EVOLVEO Panthera



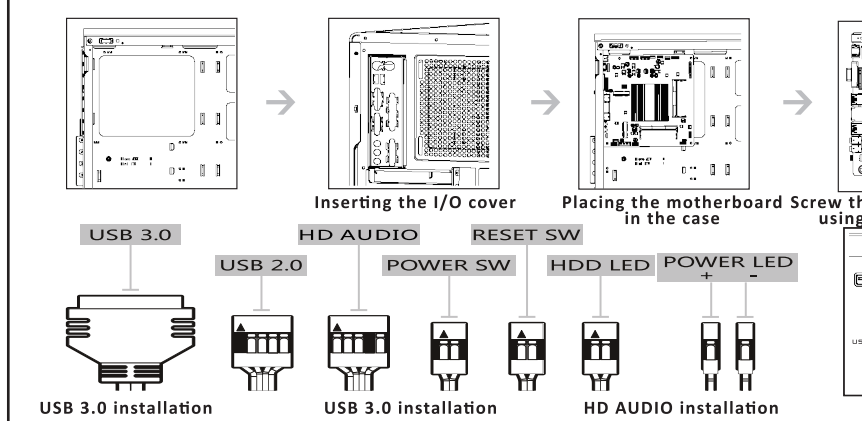
■ RADIATOR ASSEMBLY - EVOLVEO Ursus



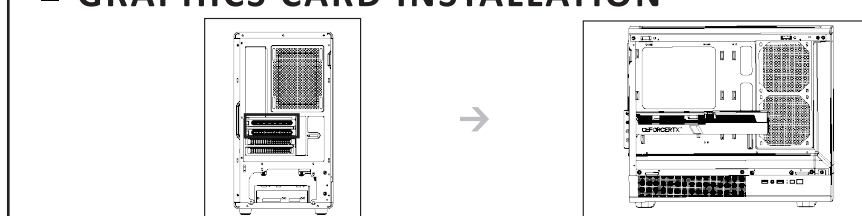
■ POWER SUPPLY INSTALLING



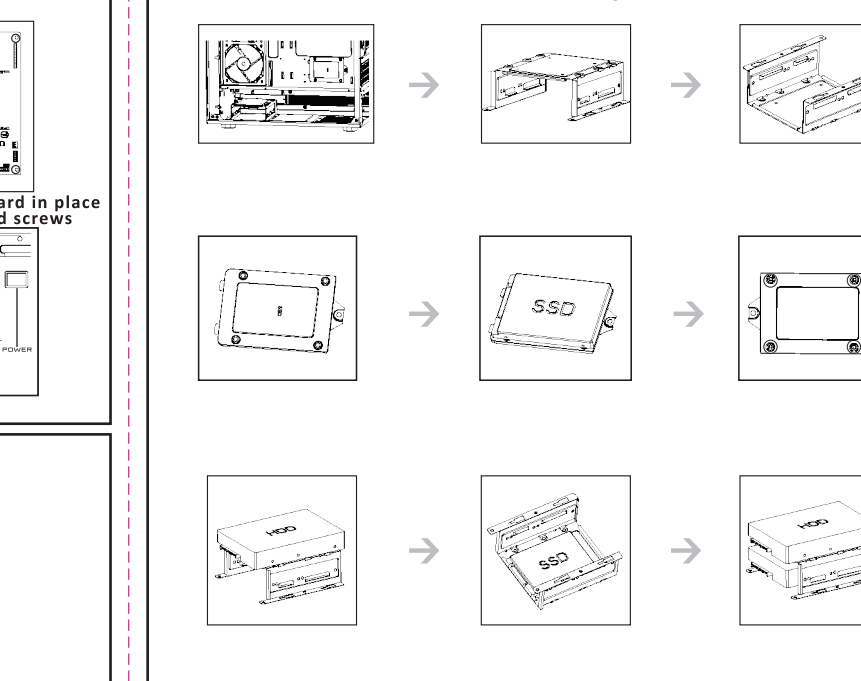
■ MOUNTING THE MAINBOARD



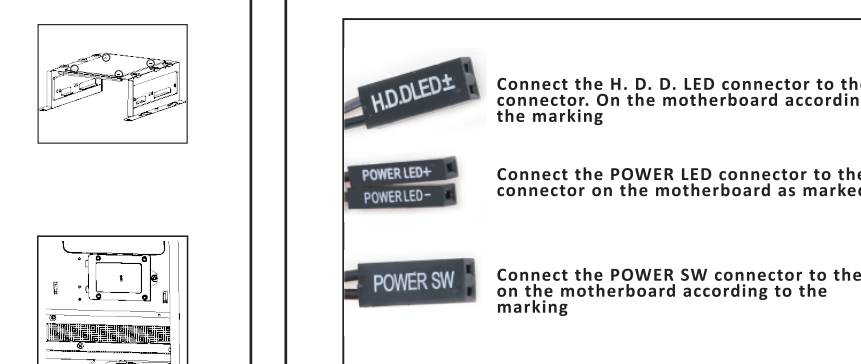
■ GRAPHICS CARD INSTALLATION



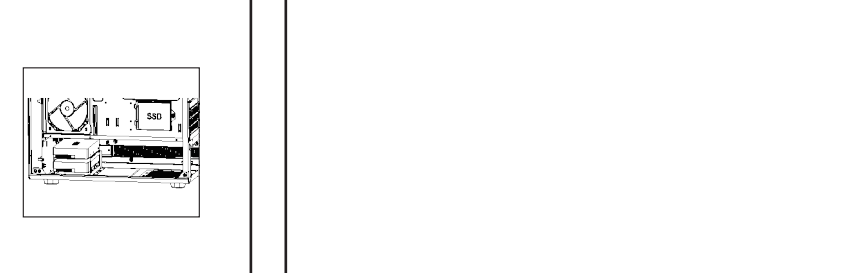
■ ASSEMBLY 3.5" HDD / 2.5" SSD



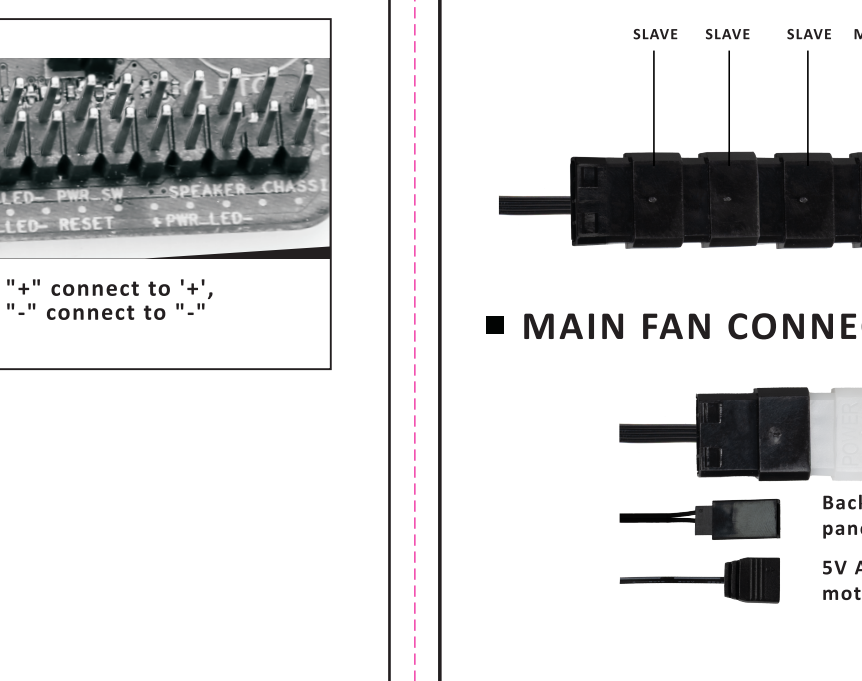
■ CONNECTING CABLES



■ CONNECTING FANS



■ MAIN FAN CONNECTORS



Disposal

The crossed-out wheeled bin symbol on your product, literature or packaging means that in the EU all electrical and electronic equipment, batteries and accumulators must be taken to a separate collection at the end of their working life. Do not dispose of these products as unsorted municipal waste.

DECLARATION OF CONFORMITY

Abacus Electric, s.r.o. hereby declares that the EVOLVEO Ursus and Panthera devices meet the requirements of the notes and regulations applicable to this type of device. The full text of the declaration of conformity can be found at <http://ftp.evolveo.com/CE/>.

Importer / Manufacturer
Abacus Electric, s.r.o.
Planá 2, 370 01, Czech Republic
Email: helpdesk@evolveo.com

Copyright © Abacus Electric, s.r.o.
www.evolveo.com
www.facebook.com/EvolveoCZ

Made in China
All rights reserved.
Design and specifications are subject to change without notice.