

# EVOLVE<sup>®</sup>

## Xany 5 LTE

### Feature

Receive full HD, local VHF/ UHF digital signals

TV/ wall/ table mountable

Stylish slim profile

Low noise amplifier

Detachable amplifier is included to suit different reception needs

Built-in 4G filter to avoid interference from mobile signals

Newest EU RED (Radio Equipment Directive) 2014/53/EU compliant.

### Specification

Frequency: VHF 174~230MHz, UHF 470~790MHz

Impedance ( $\Omega$ ): 75

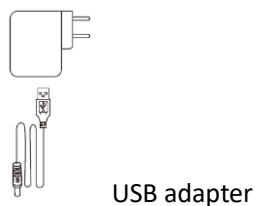
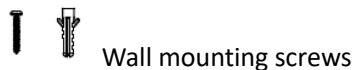
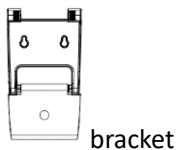
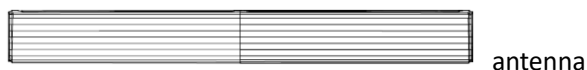
Connector: IEC type (male)

Voltage: AC 100-240V DC 5V/ 550mA

Cable Length: 1.5m + 0.86m

Suggest reception range: 0-50 KM from TV transmitters

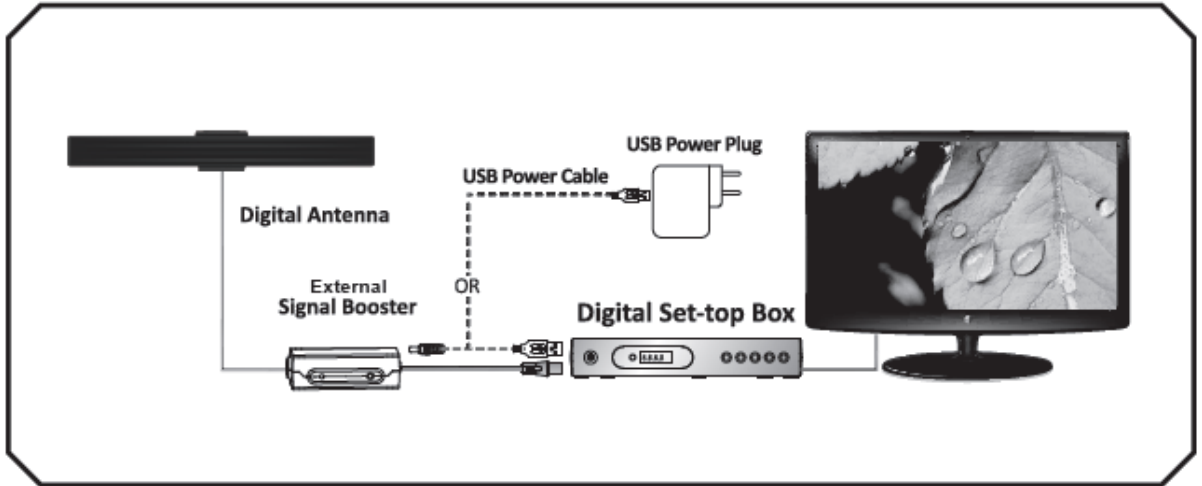
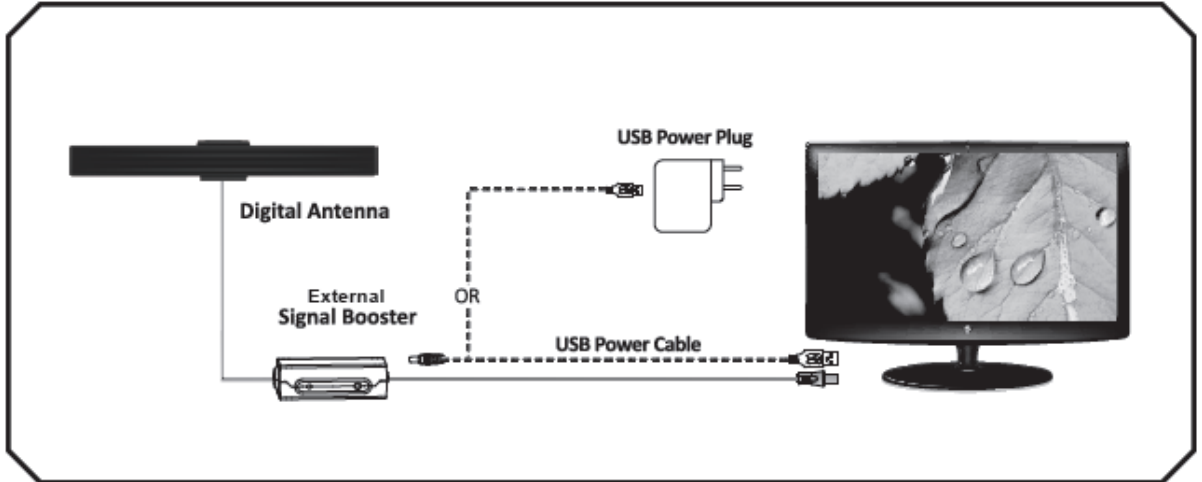
### Element list





external amplifier

## Installation



## Positioning

Stand on table



TV mount



Wall mount



## Notification

1. You can use the antenna with or without its amplifier, depending on which connection gives you the best signal. Using the amplifier provides the best performance in most situations, so try using it first. If you notice that you have lost channels that you normally receive, try connecting without amplifier.
2. If it can't receive well, please place the antenna in different position or place it as close as to windows.
3. Stop using in thundering weather.
4. This product is for indoor usage only.



**Disposal:** The symbol of crossed out container on the product, in the literature or on the wrapping means that in the European Union all the electric and electronic products, batteries and accumulators must be placed into the separate salvage after finishing their lifetime. Do not throw these products into the unsorted municipal waste



Hereby, the company Abacus Electric, s.r.o. declares that the EVOLVEO Xany 5 is in compliance with the requirements of the standards and regulations, relevant for the given type of device.

Find the complete text of Declaration of Conformity at <ftp://ftp.evolveo.com/ce>

Copyright © Abacus Electric, s.r.o.

[www.evolveo.com](http://www.evolveo.com)

[www.facebook.com/EvolveoCZ](http://www.facebook.com/EvolveoCZ)

Dovozce / Dovozca / Importer / Importőr

Abacus Electric, s.r.o.

Planá 2, 370 01, Czech Republic

Výrobce / Výrobca / Manufacturer / Gyártó

Naxya Limited

No.5, 17/F, Strand 50, 50 Bonham Strand, Sheung Wan, Hong Kong

Made in China

All rights reserved.

Design and specification may be changed without prior notice.